

sun
square

SunSquare
FOLD&ROLL AXIS

www.sunsquare.com

SunSquare® has been mastering the art of creating shade since 1993 and demonstrates how shadesails can respect the architectural harmony of the overall appearance and at the same time maximise outdoor comfort.



SunSquare®-Milestones

1993 Invention and development of the first rollable sunsail:
the SunSquare® system with spring tension (SQ product range)

1995 Patent application SunSquare® System (SQS)
Nomination for the State Prize for Design

the following years: further development of the triangular sail systems

2009 Development of the SunSquare® rectangular sails (AX product range)

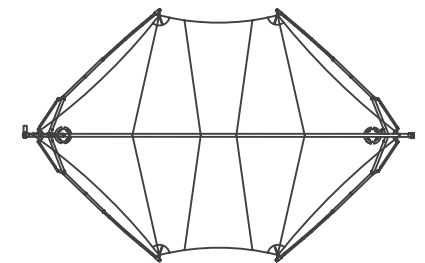
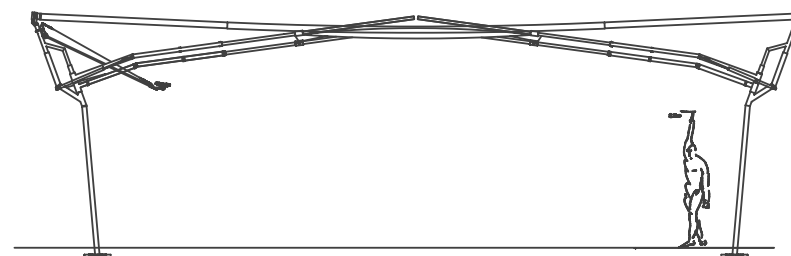
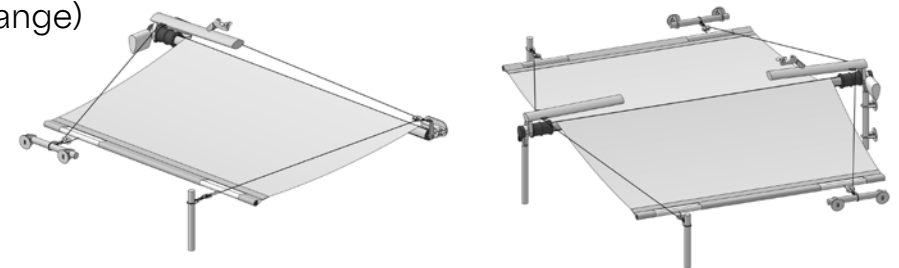
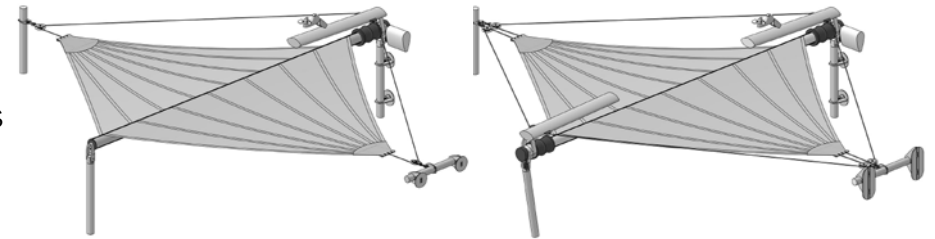
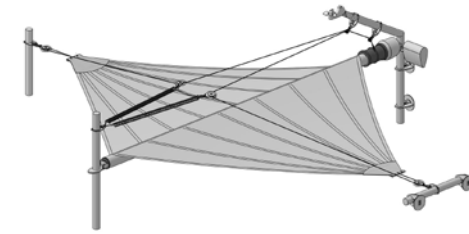
2010 Red Dot Design Award Winner

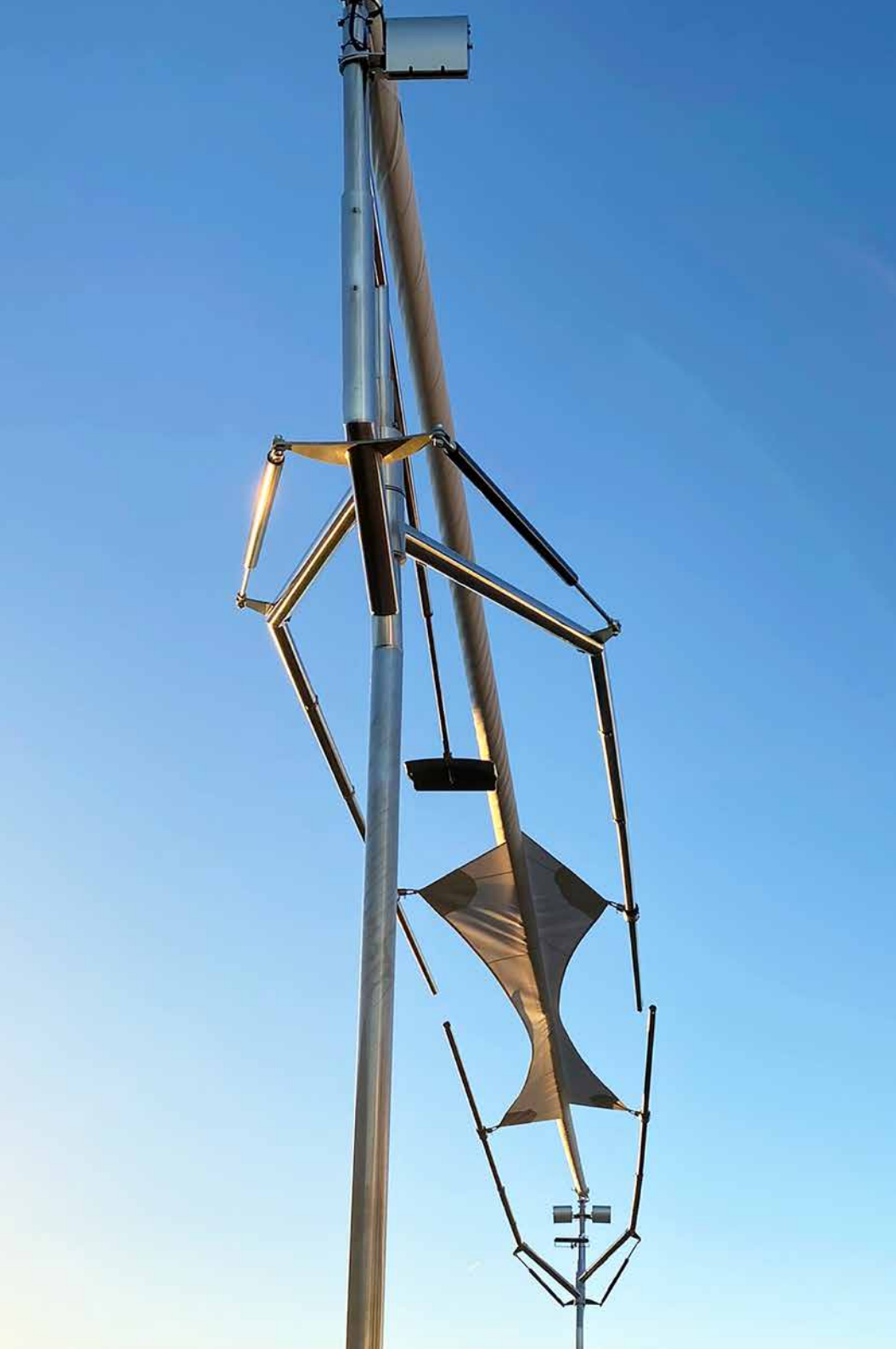
2018 Presentation of FOLD&ROLL sail-umbrella at IMM Cologne
Patent application

2019 Nomination of FOLD&ROLL for the State Prize for Design

2023 Development of the FOLD&ROLL AXIS
Patent application

20xx to be continued





FOLD&ROLL AXIS **Areas of application**

- | catering
- | hotel industry
- | public places
- | outdoor areas of companies

dimensions of sail area

- | 46 m²
- | 71 m²

protection

- | UV radiation
- | overheating
- | rain

Creating spaces.

Life outside.

The sail becomes a roof.

The boundaries between

inside and outside

become blurred.

New living spaces open up.

New guest rooms open up.

Reason to return.

Reason for customer loyalty.

Protects generations

from the sun and rain.

At the touch of

a button.



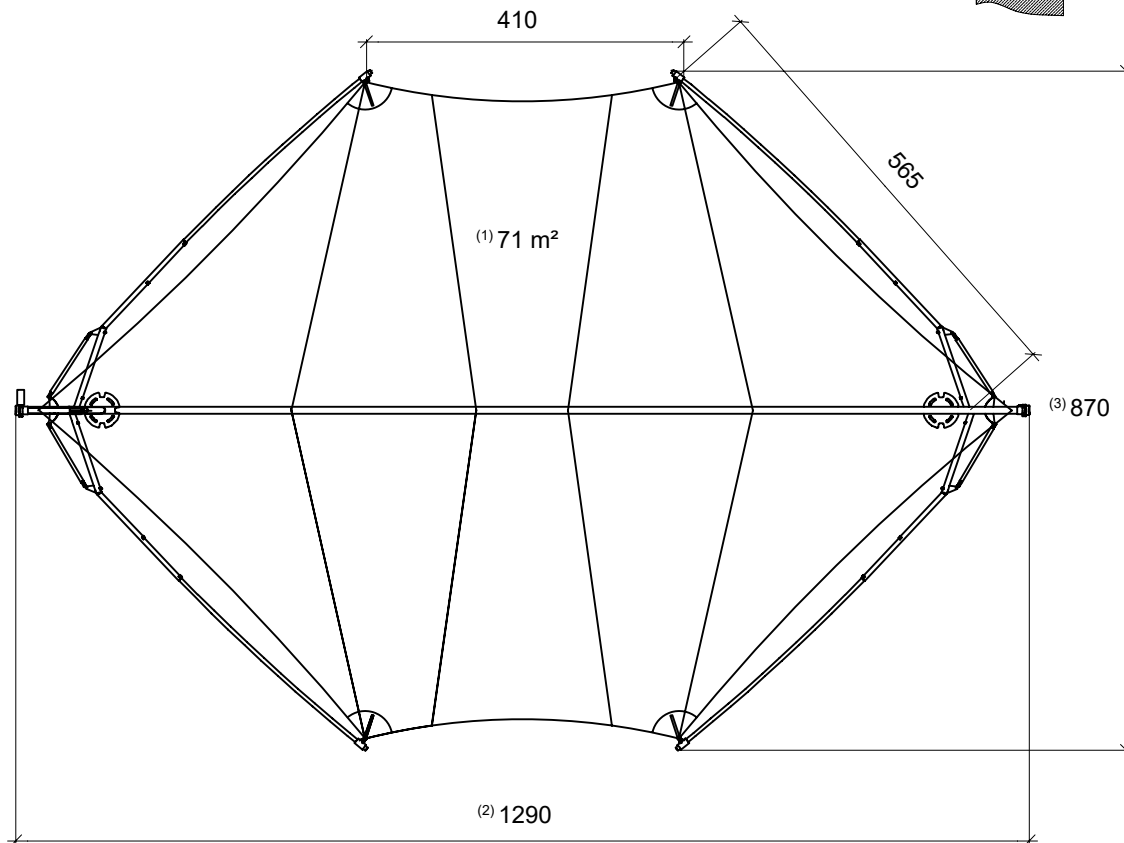
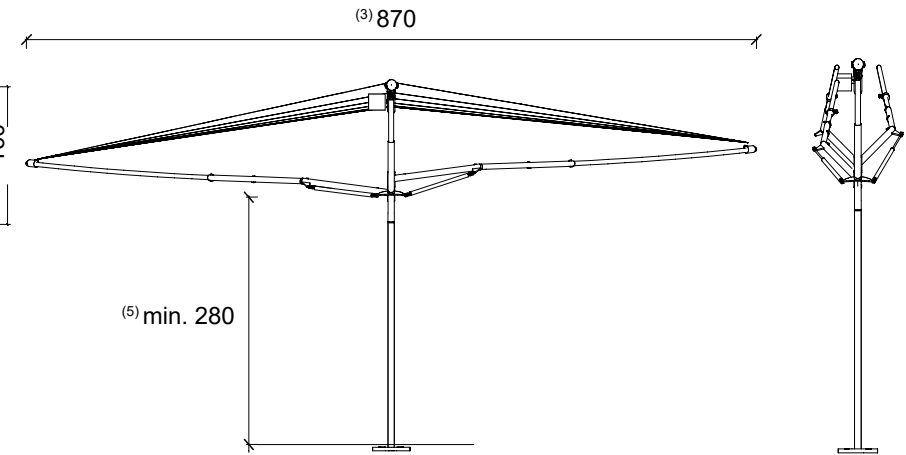
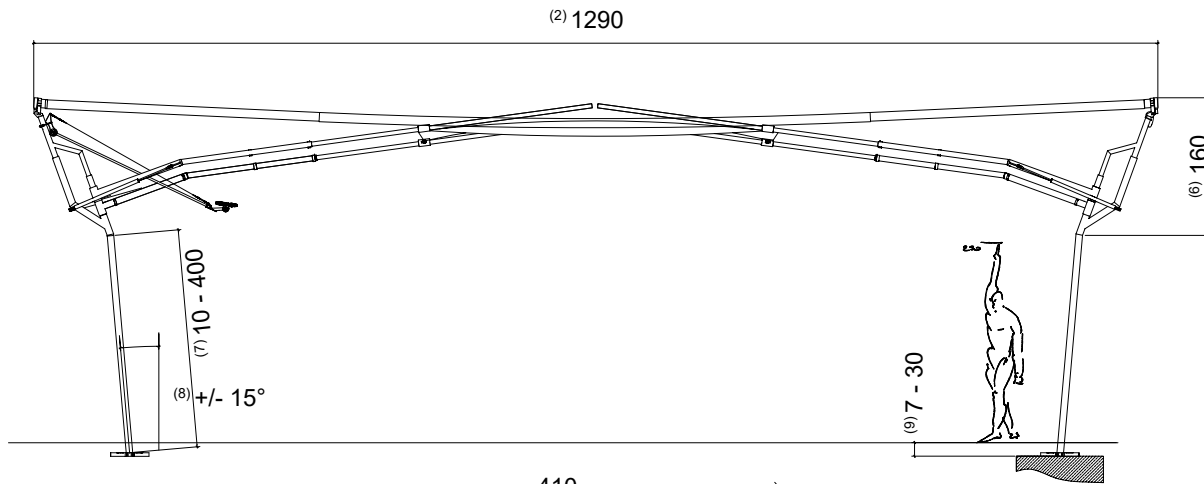
The logo for Sun Square, featuring the words "sun" and "square" stacked vertically in a white, lowercase, sans-serif font, set against a solid black square background.

sun
square

A photograph of an outdoor court area at sunset. A large, light-colored canopy structure covers the court. The sun is low on the horizon, creating a warm, golden glow and long shadows. A fence runs along the background, and a light pole stands in the middle ground. The text "CREATE SPACE" is overlaid in large, bold, yellow letters at the bottom.

CREATE
SPACE

FOLD&ROLL AXIS 71 m²



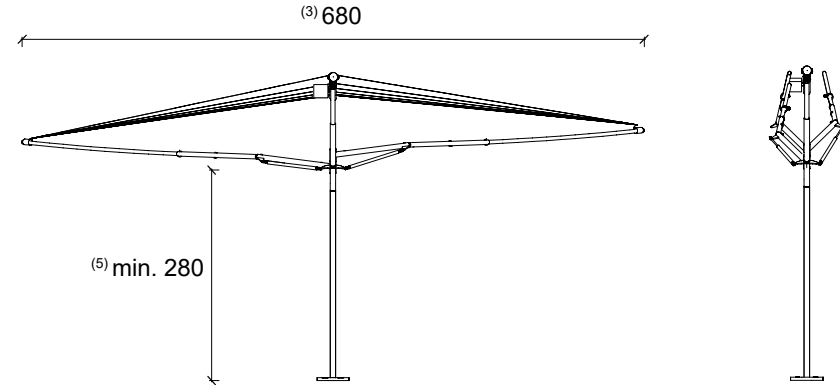
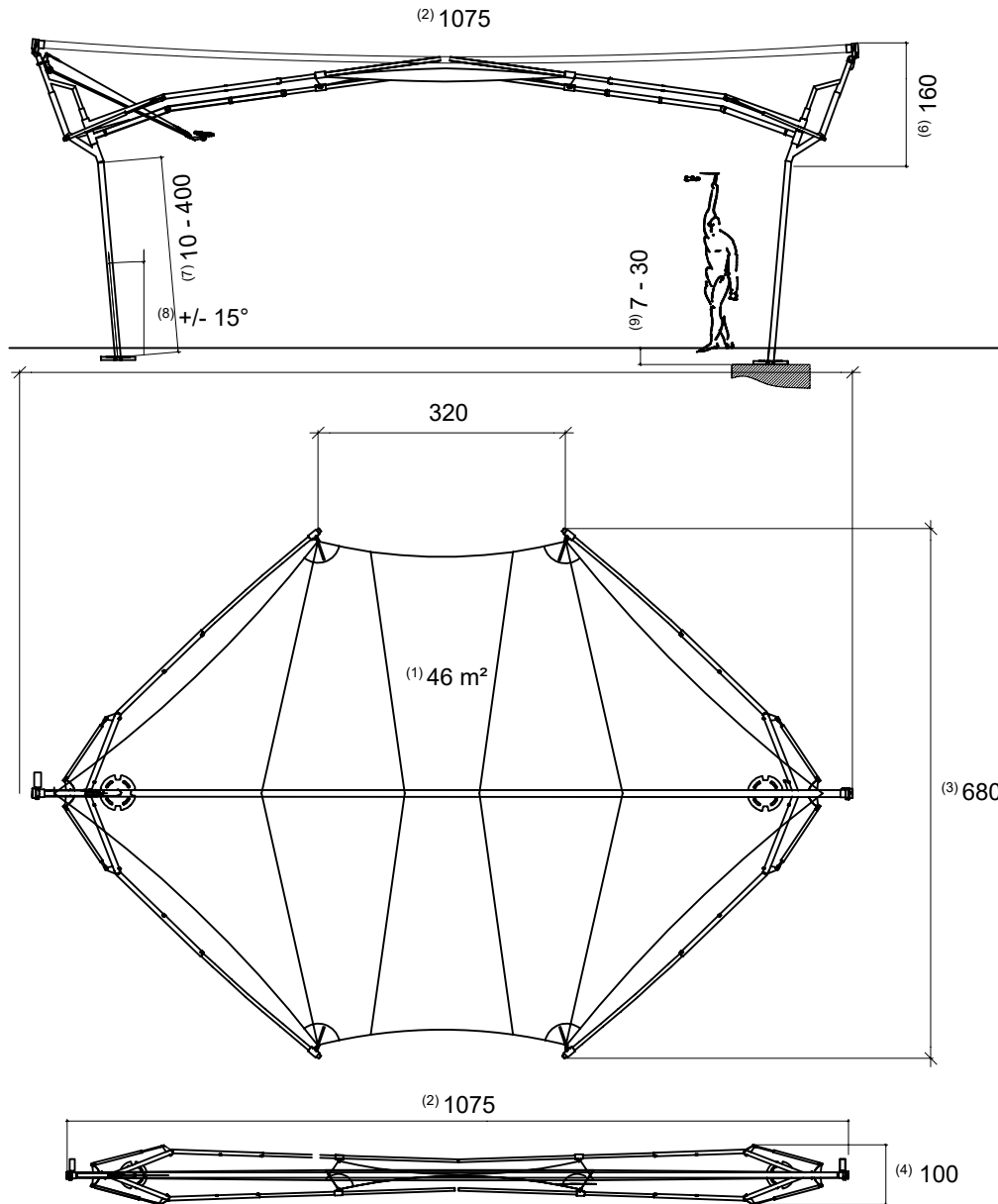
FOLD&ROLL AXIS 71 m²

dimension of canvas ⁽¹⁾	71 m ²
total length ⁽²⁾	1.290 cm
width open ⁽³⁾	870 cm
width closed ⁽⁴⁾	100 cm
minimum height - with sail open ⁽⁵⁾	280 cm
support-section above junction point ⁽⁶⁾	160 cm

VARIABLE PARAMETERS

support length below junction point ⁽⁷⁾	10 - 400 cm
support angle below junction point ⁽⁸⁾	+/- 15°
shaft inclination/angle	0 - 10°
installation depth ⁽⁹⁾	7 - 30 cm

FOLD&ROLL AXIS 46 m²



FOLD&ROLL AXIS 46 m²

dimension of canvas ⁽¹⁾	46 m ²
total length ⁽²⁾	1.075 cm
width open ⁽³⁾	680 cm
width closed ⁽⁴⁾	100 cm
minimum height - with sail open ⁽⁵⁾	280 cm
support-section above junction point ⁽⁶⁾	160 cm

VARIABLE PARAMETERS

support length below junction point ⁽⁷⁾	10 - 400 cm
support angle below junction point ⁽⁸⁾	+/- 15°
shaft inclination/angle	0 - 10°
installation depth ⁽⁹⁾	7 - 30 cm



**CREATE
SPACE**

FOLD&ROLL AXIS

dimensions of sail area | 46 m² + 71 m²

mounting points | two

protection | sun + rain



sun
square



CREATE SPACE





sun
square